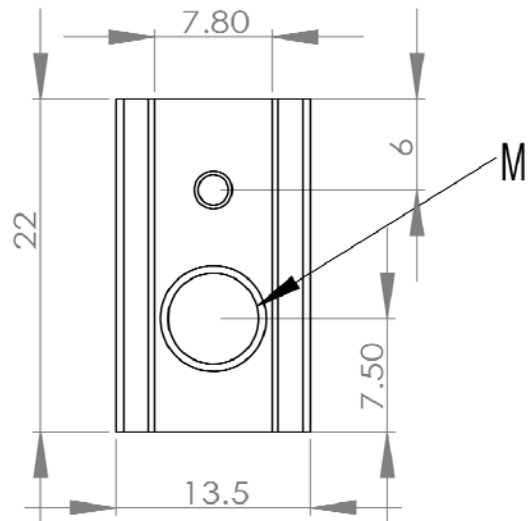
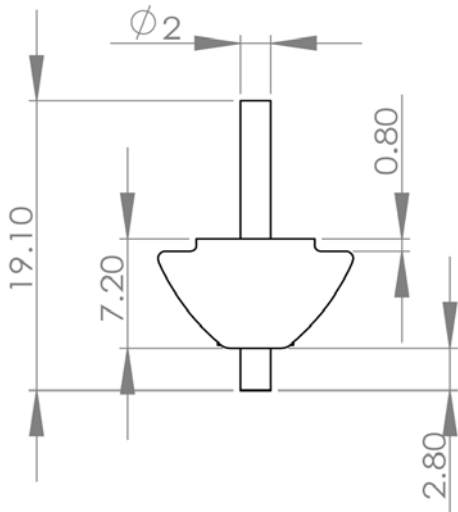
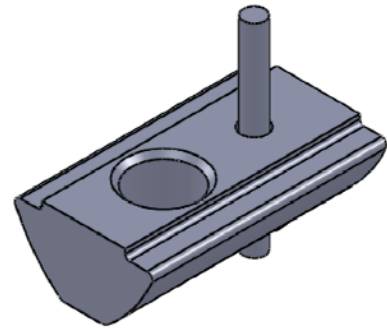
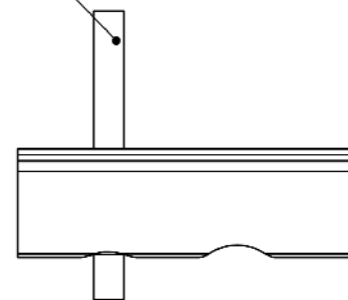


T-Nuts (Rubber Stop)

Slot Size With Alignment	Thread Size	Item Number
8MM	10-32	TNRS-8-32
	1/4-20	TNRS-8-20
	5/16-18	TNRS-8-18
	M6	TNRS-8-M6
	M8	TNRS-8-M8



Plastic Knot



T-Nuts (Rubber Stop)

Material:

Surface:

Standard T-Slot Nut for 8 Profile