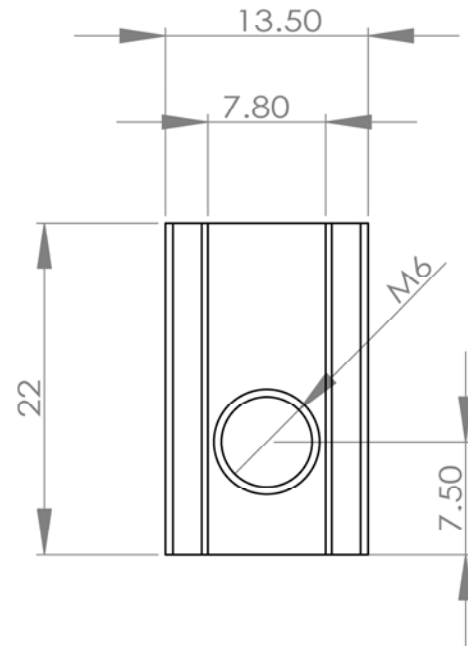
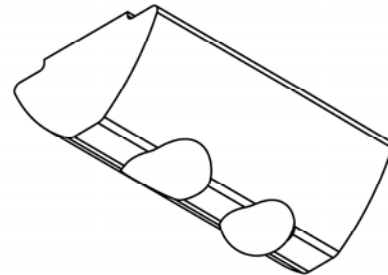
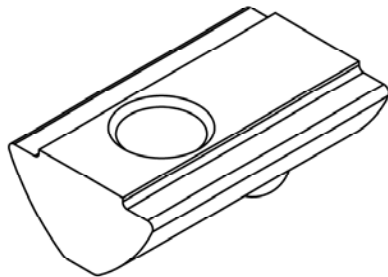
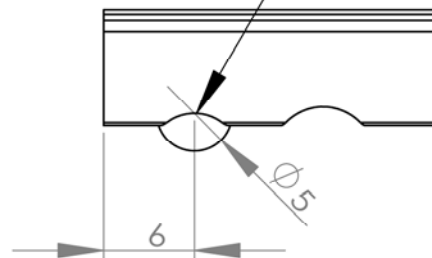
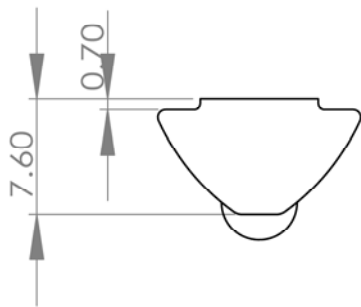


T-Nuts (Spring Bearing) Low Bar

Slot Size	Metric Size	Item Number
Low Alignment Bar (L)		
8MM LB	M4	TNS-L8-M4
	M5	TNS-L8-M5
	M6	TNS-L8-M6
	M8	TNS-L8-M8
	1/4-20	TNS-L8-20
	10-32	TNS-L8-32
	5/16-18	TNS-L8-18



Spring loaded ball retention



T-Nuts (Spring Bearing Low Bar)

Material:

Surface:

Standard T-Slot Nut for 8 Profile