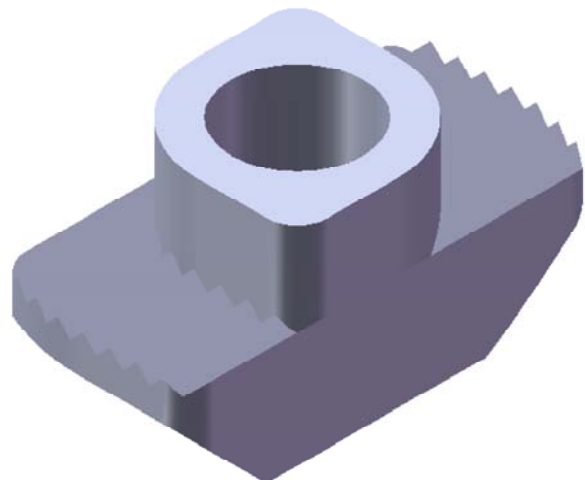
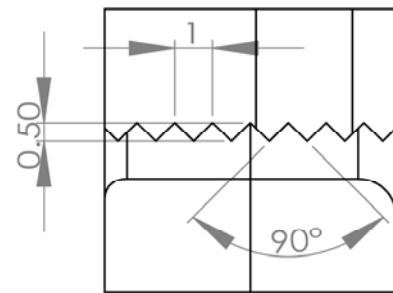
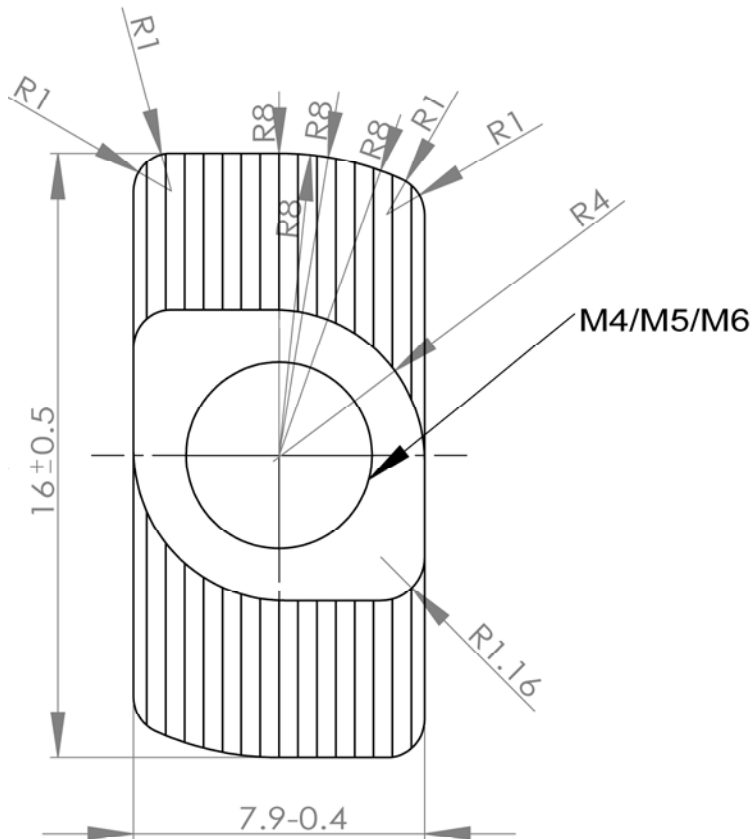
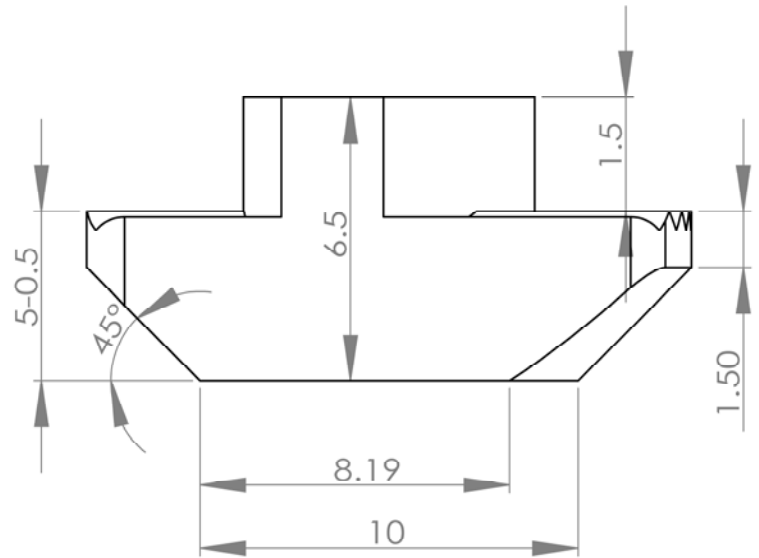


Hammer Nuts 10MM

Size	Metric Size	Item Number
10MM	M4	HN10-M4
	M5	HN10-M5
	M6	HN10-M6
	M8	HN10-M8
	1/4-20	HN10-20
	10-32	HN10-32
	5/16-18	HN10-18



Hammer Nut 10MM

Material:

Surface: Zink Coated Plain