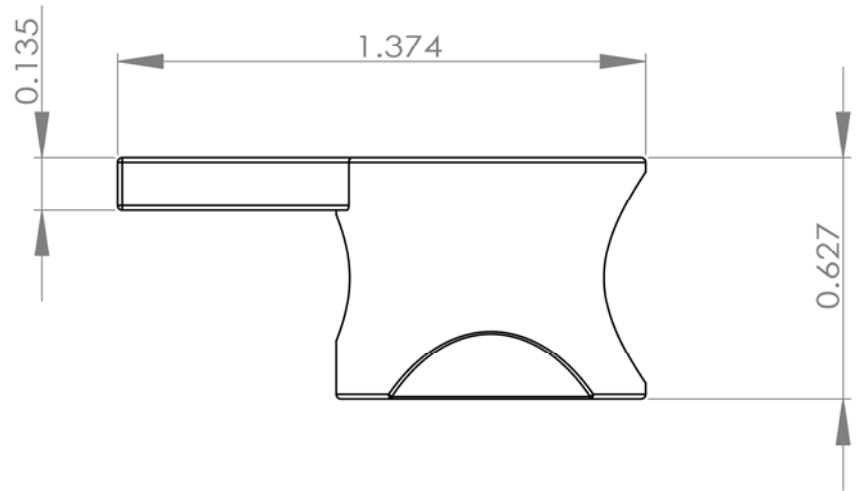


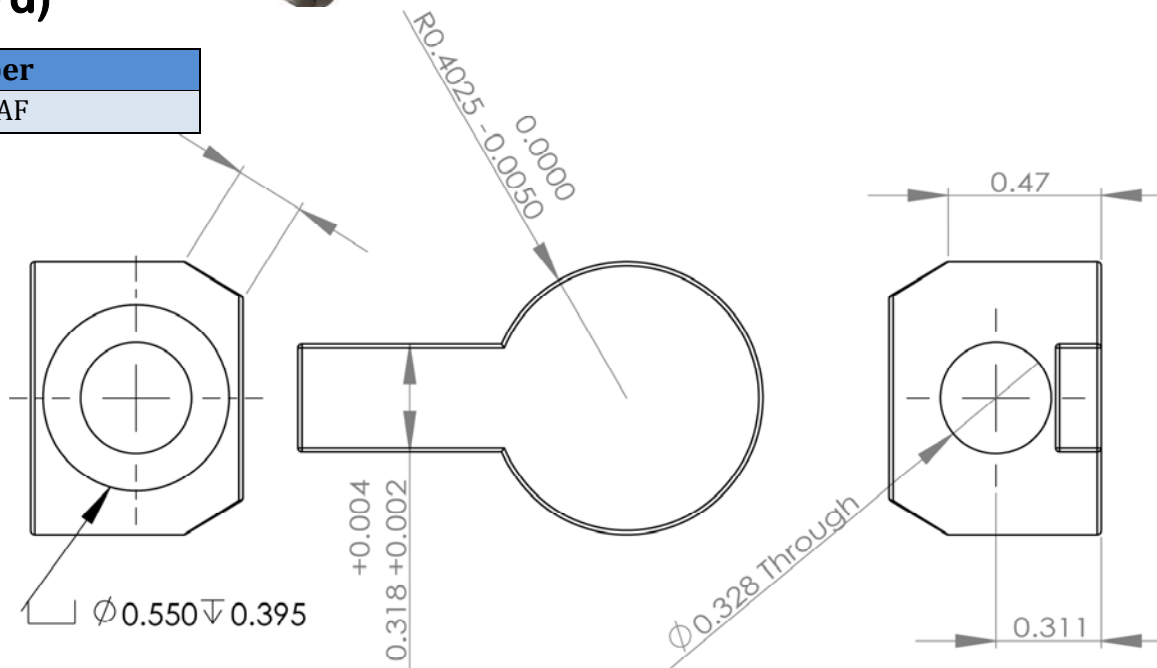
Anchor Fastener (Assembled)

Item Number
AF-ASB-E (English) * Includes AF, TNNB-8-18, BHCS-18-1.25
AF-ASB-M (Metric) * Includes AF, TNNB-8-M8, BHCS-M8-30



Anchor Fastener (Standard)

Item Number
AF



Anchor Fastener for 15S

Material: Zinc die-casting

Surface: Painted in RAL 9006

