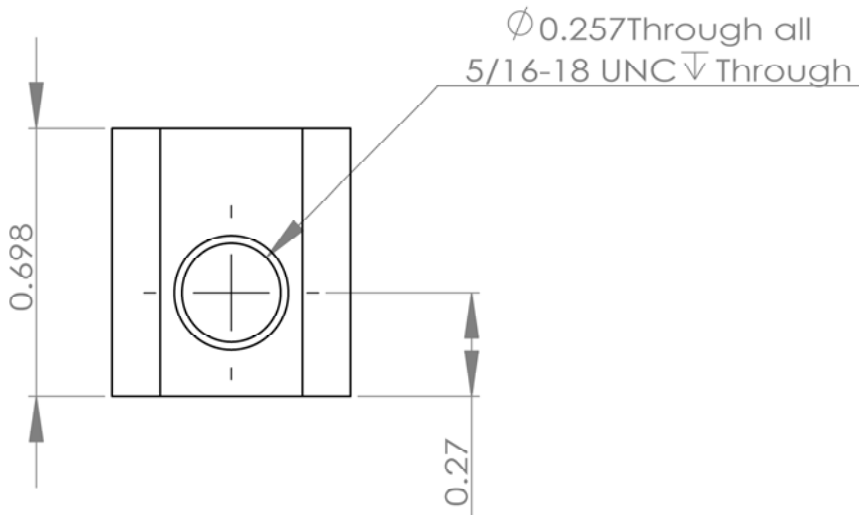
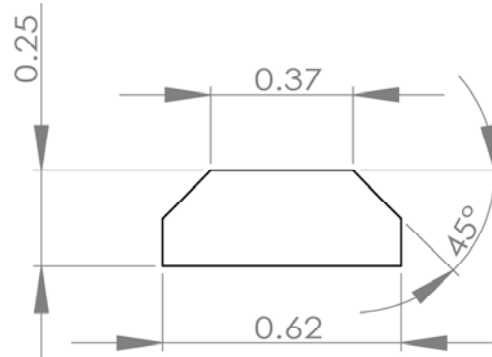
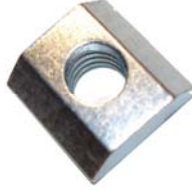


T-Nuts (No Bearing or Alignment)

Slot Size No Alignment	Metric Size	Item Number
8MM	M4	TNNB-8-M4
	M6	TNNB-8-M6
	M8	TNNB-8-M8
	1/4-20	TNNB-8-20
	10-32	TNNB-8-32
	5/16-18	TNNB-8-18



T-Nuts (No Bearing or Alignment)

Material: Carbon Steel

Surface: Black Oxide

Standard T-Nut Offset 15S

