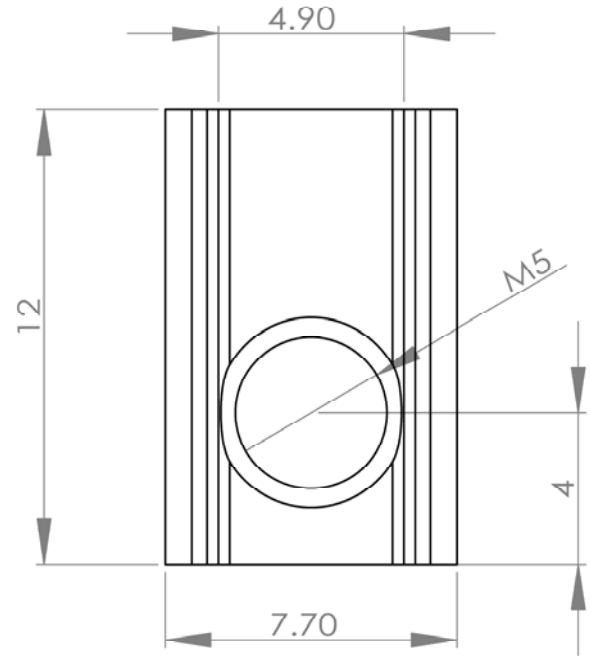
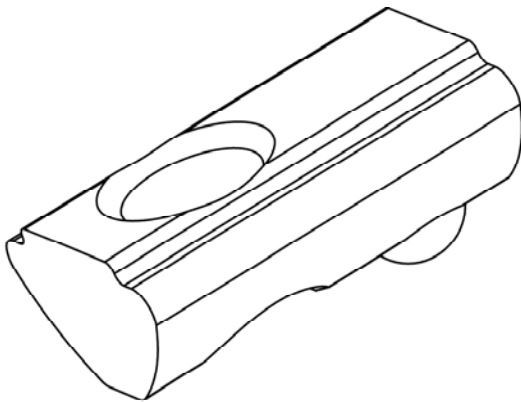
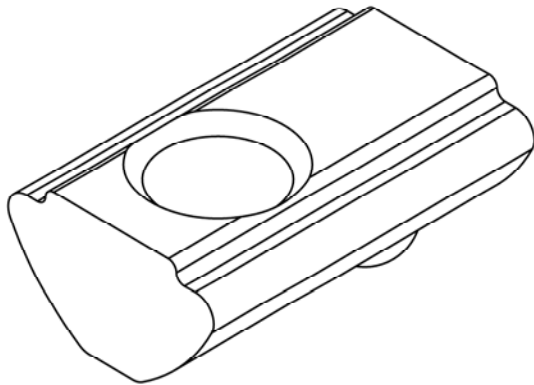
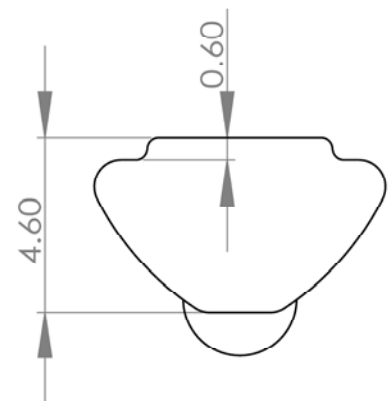
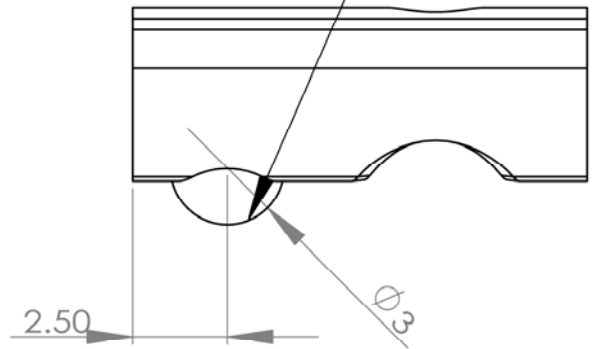


T-Nuts (Spring Bearing)

Slot Size	Metric Size	Item Number
Low Alignment Bar (L)		
5MM LB	M3	TNS-L5-M3
	M4	TNS-L5-M4
	M5	TNS-L5-M5
	1/4-20	TNS-L5-20



Spring loaded ball retention



T-Nuts (Spring Bearing)

Material:

Surface:

Standard T-Slot Nut for 8 Profile