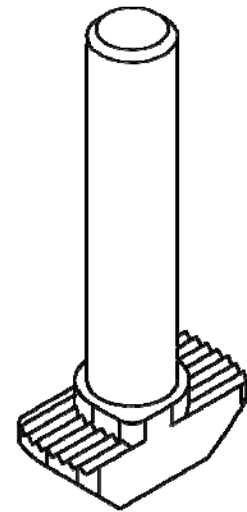
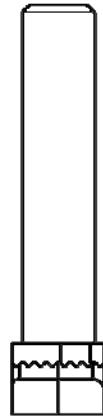
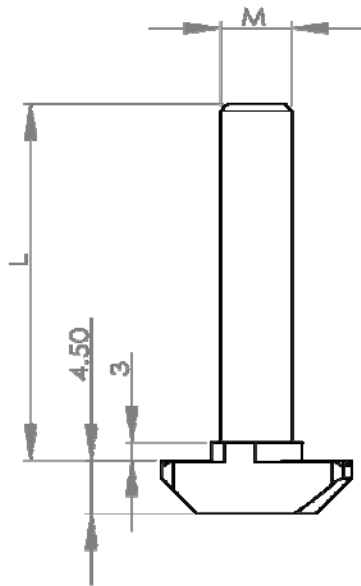
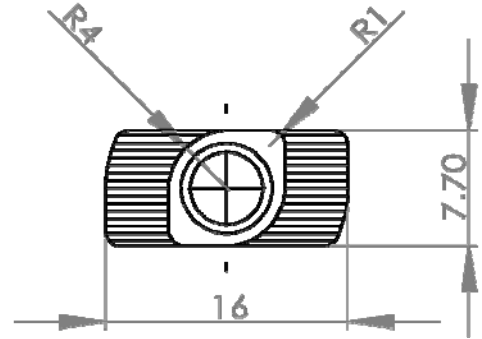


T-Bolts

Slot Size	Thread Size - M	Item Number	Length - L
8MM	5/16-18	TB-8-18-.75	L- 0.75 Inch
	5/16-18	TB-8-18-1.00	L- 1.00 Inch
	5/16-18	TB-8-18-1.25	L- 1.25 Inch
	5/16-18	TB-8-18-1.50	L- 1.50 Inch
	1/4-20	TB-8-20-.75	L- 0.75 Inch
	1/4-20	TB-8-20-1.00	L- 1.00 Inch
	M8	TB-8-M8-25	L- 25 MM
	M8	TB-8-M8-30	L- 30 MM
	M6	TB-8-M6-25	L- 25 MM
	M6	TB-8-M6-30	L- 30 MM



T-Bolts

Material: Steel

Surface: Zink Coated

Standard T-Bolt for 8 Profile