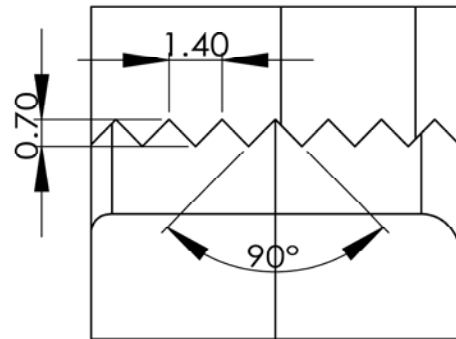
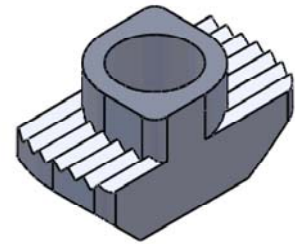
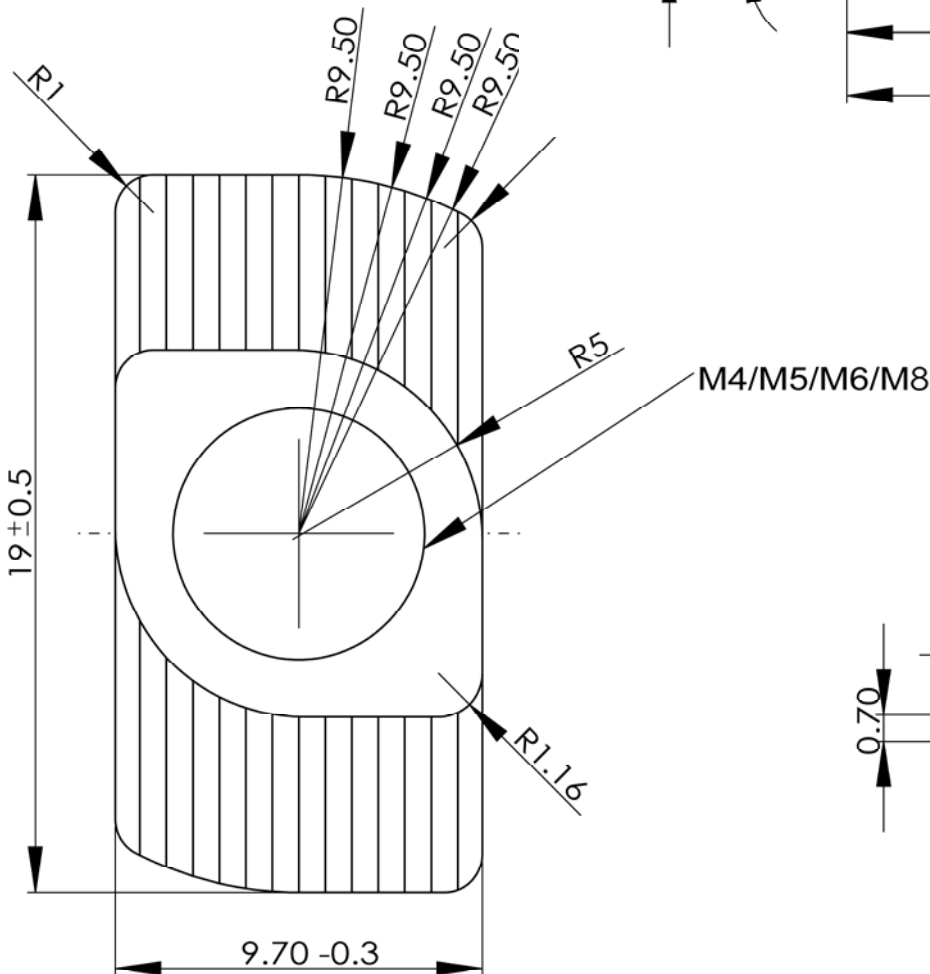
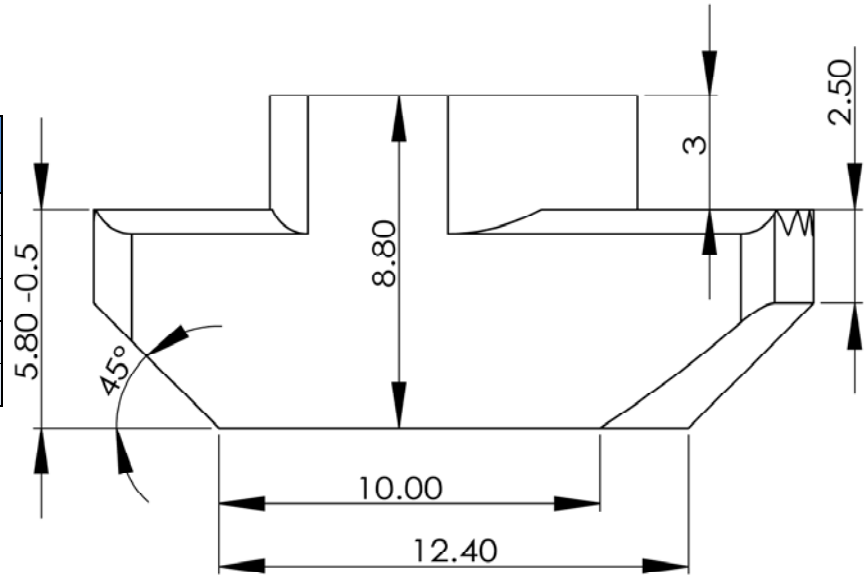


### Hammer Nuts 8MM

Size	Metric Size	Item Number
8MM	M4	HN8-M4
	M5	HN8-M5
	M6	HN8-M6
	1/4-20	HN8-20
	10-32	HN8-32



### Hammer Nut 8MM

Material:

Surface: Zink Coated Plain